

Schröder

NEOS GEN2

Sizes 1-2

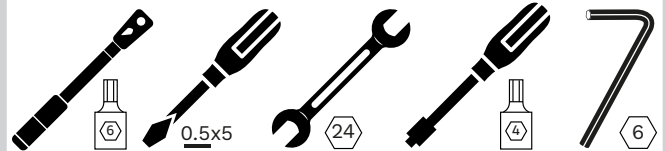
ENG	INSTALLATION INSTRUCTIONS	ITA	ISTRUZIONI DI INSTALLAZIONE	NLD	INSTALLATIE INSTRUCTIES	DAN	INSTALLATIONSVEJLEDNING	HUN	TELEPÍTÉSI ÚTMUTATÓ
DEU	INSTALLATIONSANLEITUNG	POL	INSTRUKCJE MONTAŻU	RUS	Инструкции по установке	RON	INSTRUCȚIUNI DE INSTALARE	CHI	安装说明
FRA	INSTRUCTIONS DE MONTAGE	SPA	INSTRUCCIONES DE INSTALACIÓN	POR	INSTRUÇÕES DE INSTALAÇÃO	SWE	INSTALLATIONSANVISNING	UKR	Інструкції з монтажу
SRP	UPUTSTVA ZA INSTALACIJU	ARA	تعليمات التركيب						

<8m ✓
 8-12m ✓
 12-15m ✓
 15m< ✓

120-277V
 220-240V
 50/60Hz

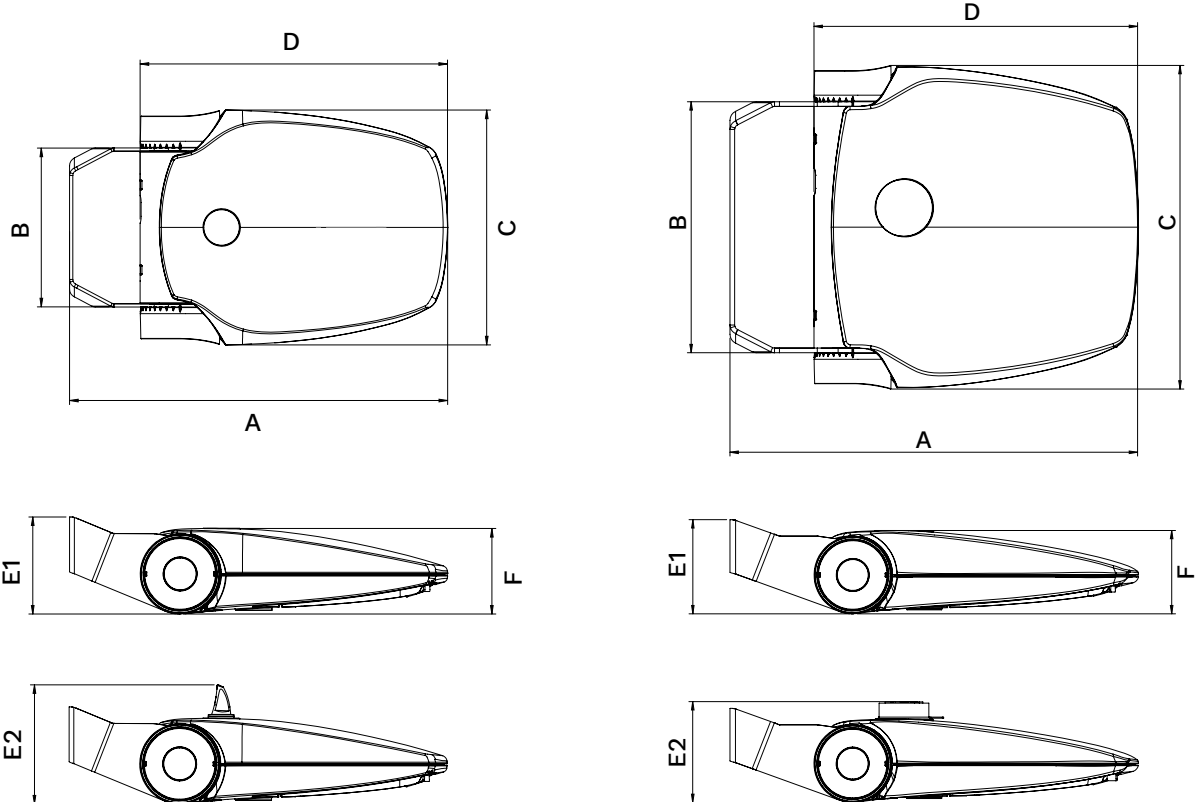
IP 66
 IK Glass 09
 IK PC 10

LED color	722	727	730	740	757	827	830	840	857
Light source energy efficiency class High Power	C	C	C	B	B	D	C	C	D



ALL THE TIGHTENING TORQUES VALUES ARE GIVEN FOR ASSEMBLIES WITHOUT THE ADDITION OF A GREASE DECREASING FRICTION.

A. DIMENSIONS

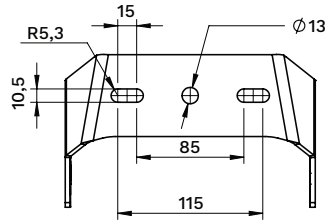


	A	B	C	D	E1	E2	F	Max	max. CxS
NEOS GEN2 SIZE 1	472mm	198mm	293mm	383.5mm	121mm	149mm	107mm	7.1kg	0.13m ²
NEOS GEN2 SIZE 2	524.5mm	323mm	416mm	416.5mm	121mm	130mm	107mm	10.1kg	0.2m ²

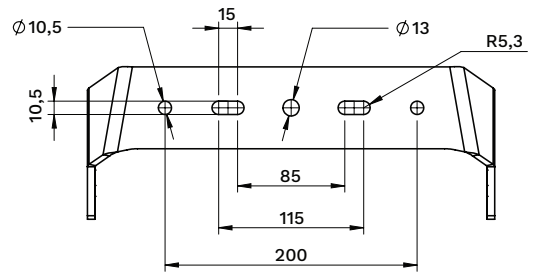
B. MOUNTING

Standard bracket

Size 1



Size 2



Torques

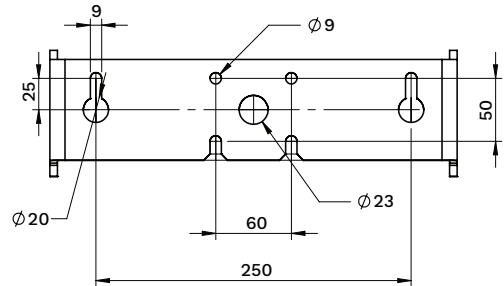
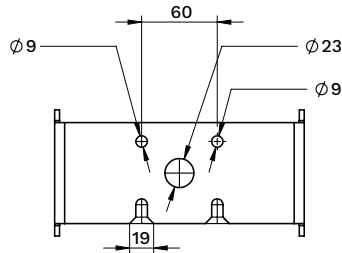
	Minimum fastener requirement	Tightening torques
NEOS GEN2 SIZE1	1x M12 min. A2-70 DIN9021 large plain washer	50 Nm
	2x M8 min. A2-70 DIN125 plain washers	20 Nm

Fasteners are not included in the package!

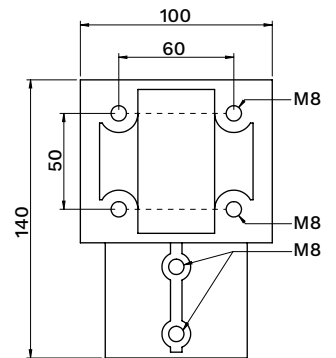
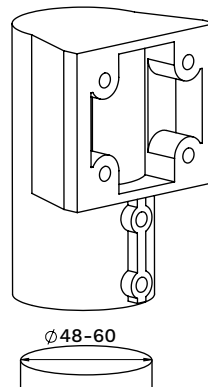
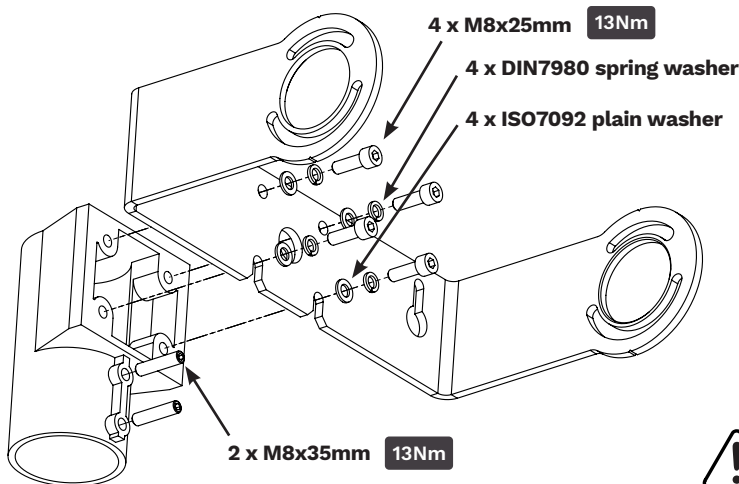
	Minimum fastener requirement	Tightening torques
NEOS GEN2 SIZE2	1x M12 min. A2-70 DIN9021 large plain washer	50 Nm
	2x M10 min. A2-70 DIN125 plain washers	35 Nm

Fasteners are not included in the package!

Post-top bracket



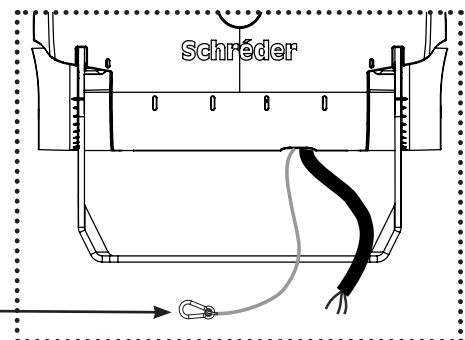
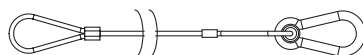
Post-top bracket & adapter



TIKAL Tef-Gel only or no lubricant!

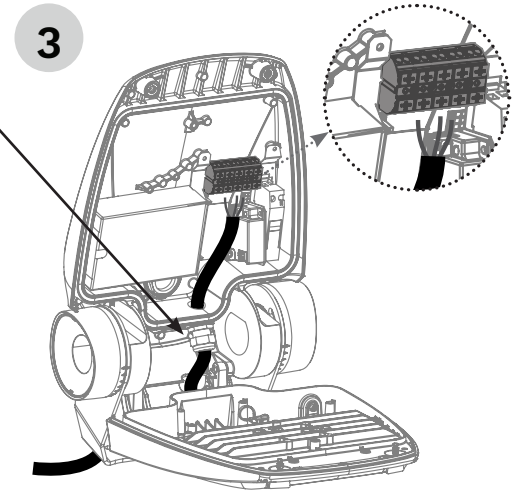
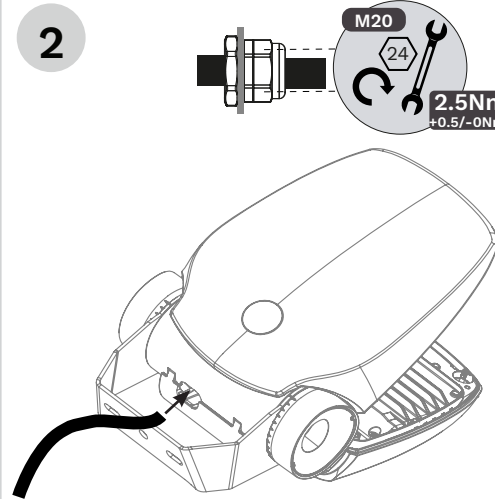
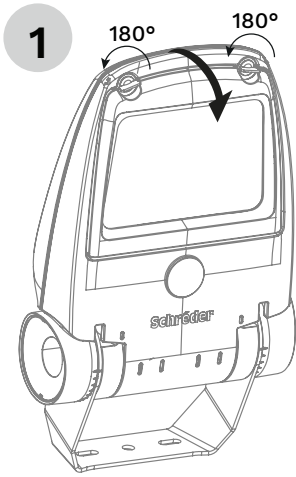
Safety lanyard - optional

**For installations over 3 meters of height:
Secondary safety system application is mandatory, which is appropriated for the luminaire load (for example steel safety cable)**





C. LUMINAIRE OPENING & CONNECTION



4

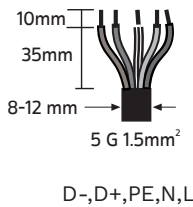
IEC



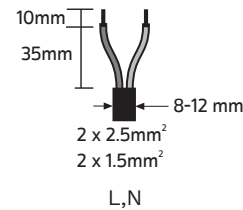
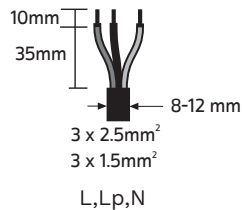
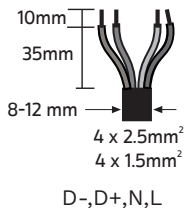
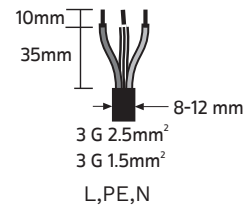
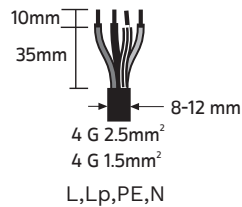
Dim



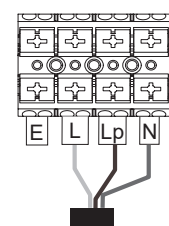
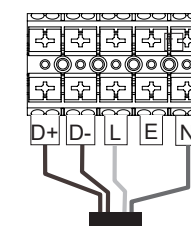
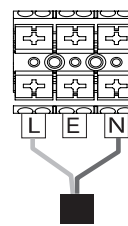
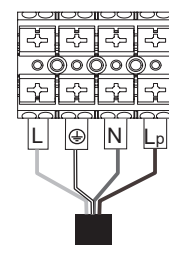
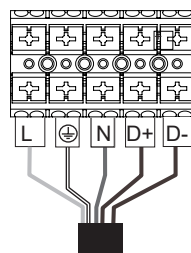
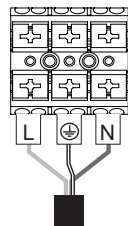
No Dim



Bi-Power
Switching line

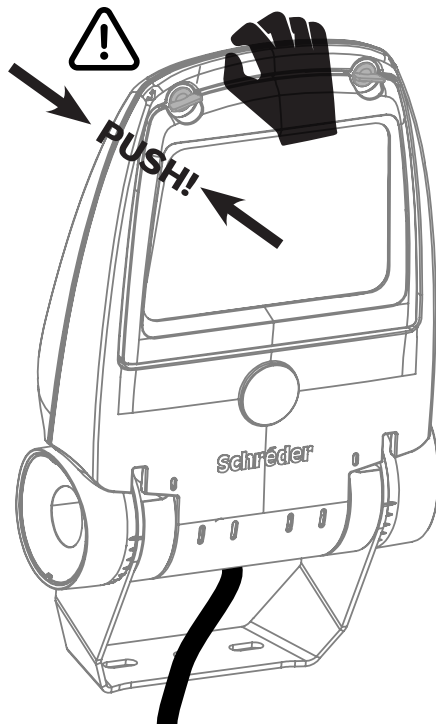
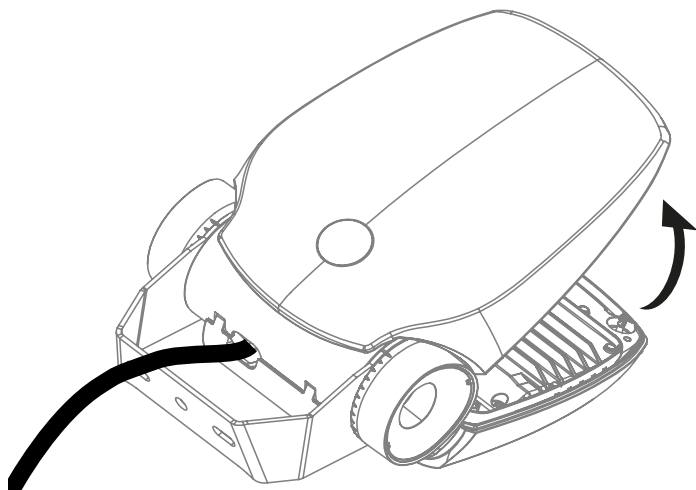


Line and neutral **MUST**
be respected !

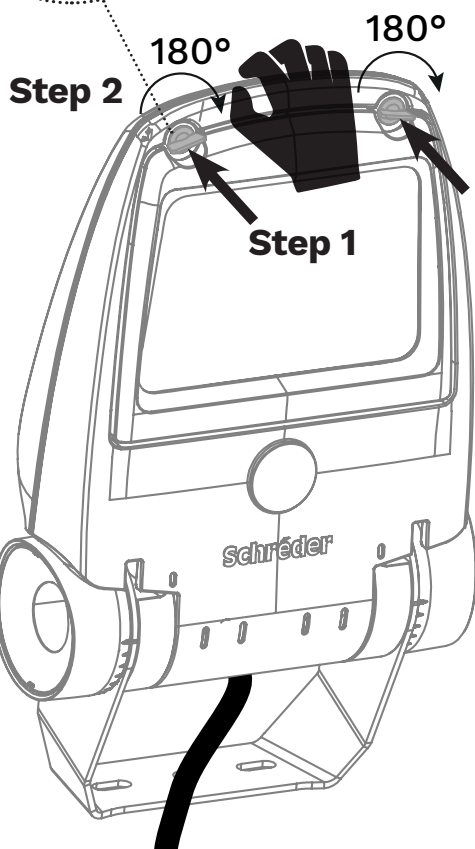
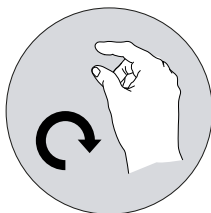
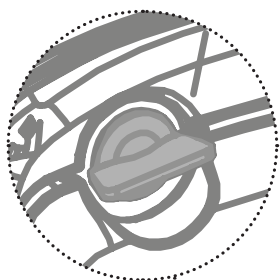


*For AUS, L is replaced by A

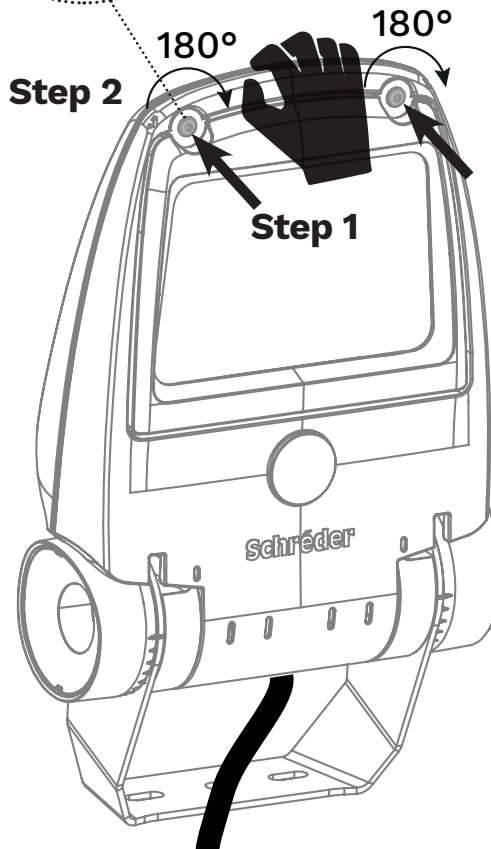
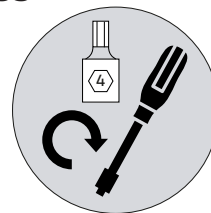
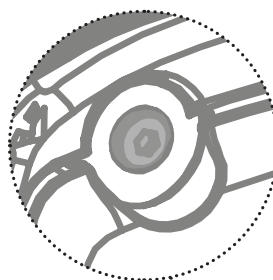
5



6a Tool-less

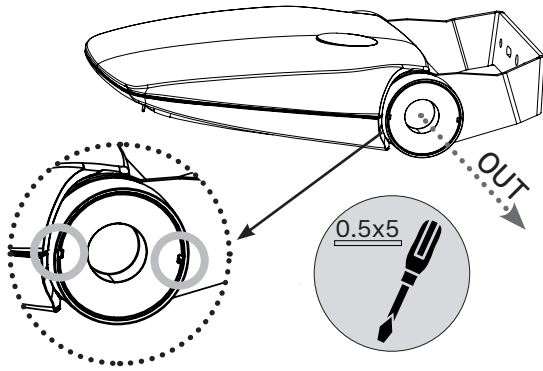


6b Non tool-less

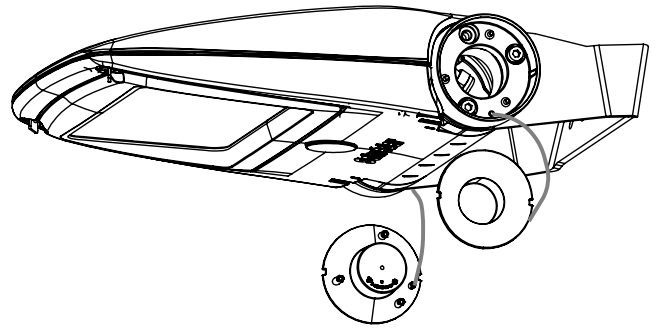


D. TILTING

- 1** Snap off fixation caps on both sides of the luminaire



2

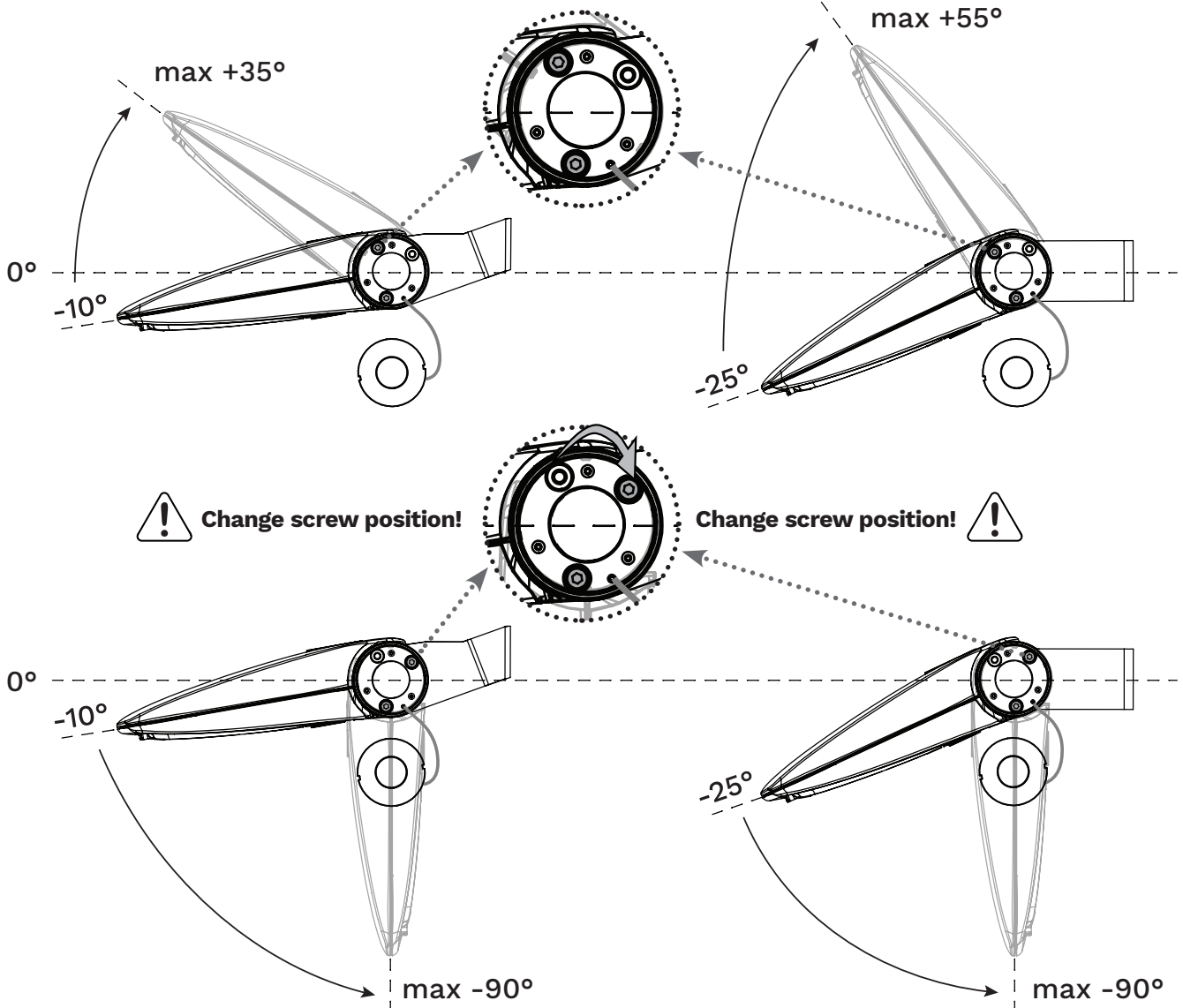


- 3** Loosen screws on both sides to set the required tilting angle

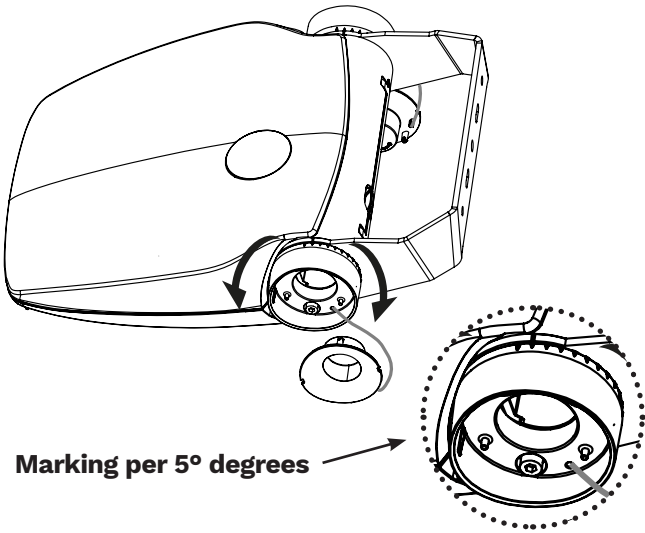


3a Standard bracket

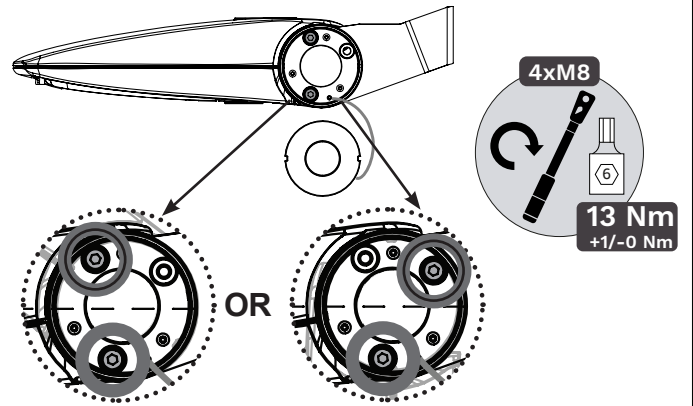
3b Post-top bracket



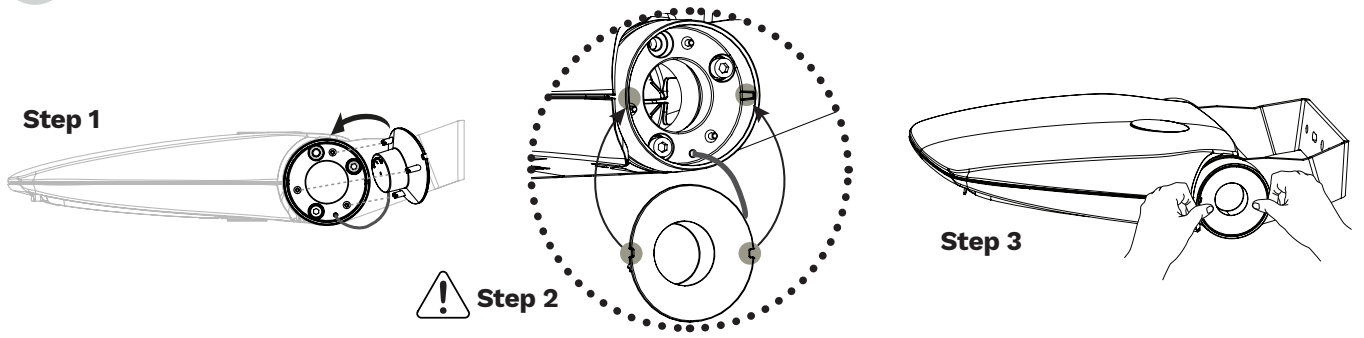
4 Set required tilting angle



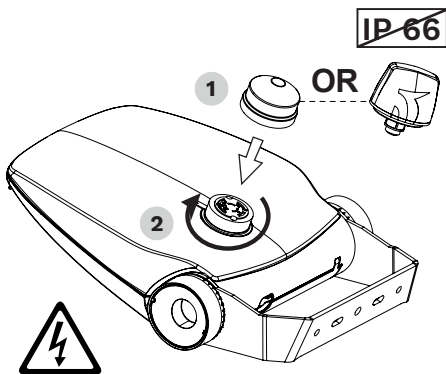
5 Fasten screws



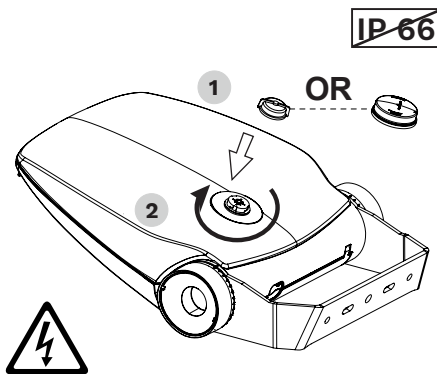
6 Snap back fixation caps on both sides of the luminaire



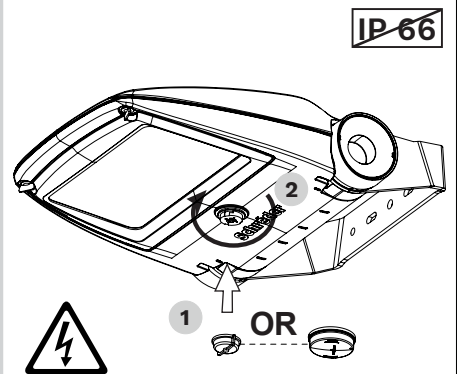
E. SOCKETS



Nema node or IP66 shorting cap



Zhaga top node or IP66 sealing cap



Zhaga bottom node or IP66 sealing cap

