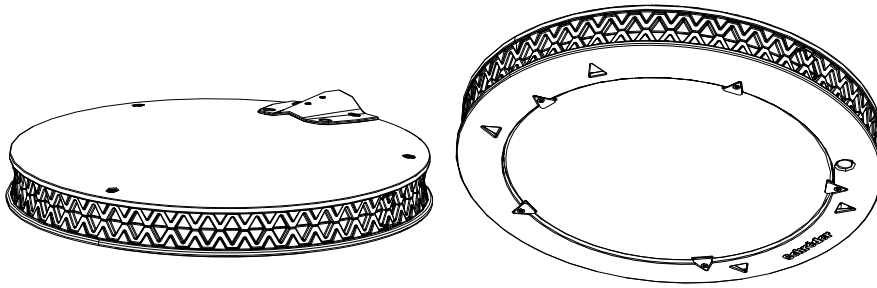


# Schröder

## YOA

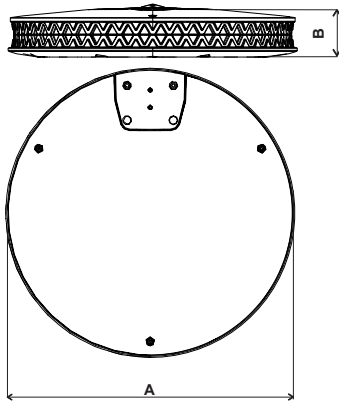
### Midi



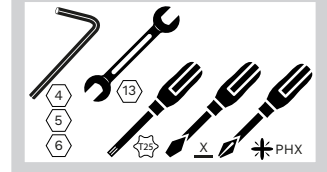
ENG	INSTALLATION INSTRUCTIONS	ITA	ISTRUZIONI DI INSTALLAZIONE	NLD	INSTALLATIE INSTRUCTIES	DAN	INSTALLATIONSVEJLEDNING	HUN	TELEPÍTÉSI ÚTMUTATÓ
DEU	INSTALLATIONSANLEITUNG	POL	INSTRUKCJE MONTAŻU	RUS	Инструкции по установке	RON	INSTRUCȚIUNI DE INSTALARE	CHI	安装说明
FRA	INSTRUCTIONS DE MONTAGE	SPA	INSTRUCCIONES DE INSTALACIÓN	POR	INSTRUÇÕES DE INSTALAÇÃO	SWE	INSTALLATIONSANVISNING	UKR	Інструкції з монтажу
SRP	UPUTSTVA ZA INSTALACIJU	ARA	تعليمات التركيب						



### Side-entry

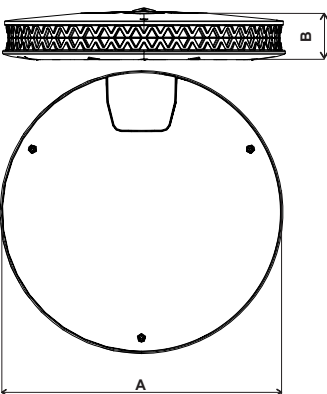


A	500mm
B	92mm
C <sub>d</sub> S	0.018m <sup>2</sup>
C <sub>r</sub> S	0.021m <sup>2</sup>
C <sub>s</sub> S	0.006m <sup>2</sup>
kg	13



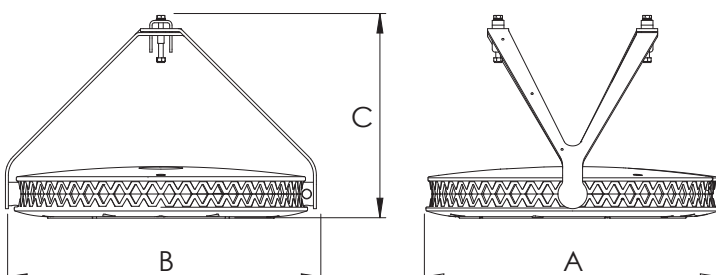
IK Table		No Zhaga under	Zhaga under
Glass GW20	GeSaFL	08	07
Glass Clear	GeSmFL	08	07
Polycarbonate Clear	PcSpFL	10	10

### Fork-entry



A	500mm
B	88mm
CxS	0.021m <sup>2</sup>
kg	13

### Rope suspension



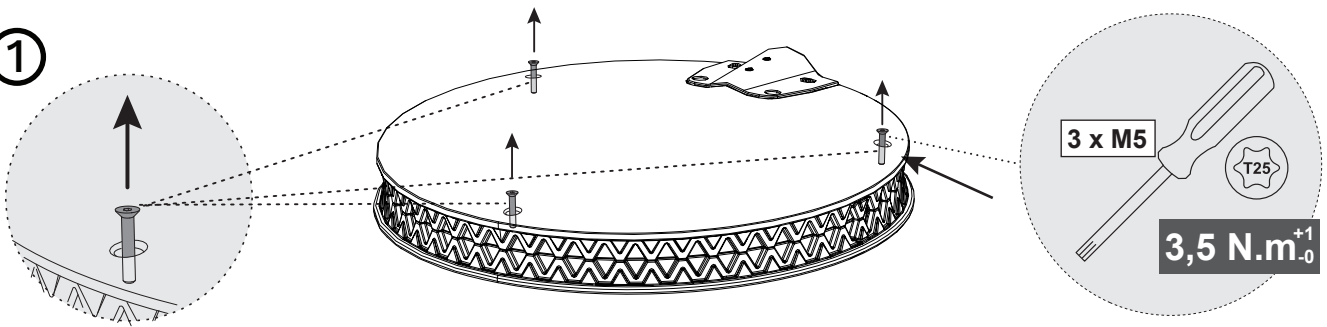
A	∅500mm	C <sub>l</sub> S	0.022m <sup>2</sup>
B	530mm	C <sub>s</sub> S	0.005m <sup>2</sup>
C	345mm	C <sub>d</sub> S	0.020m <sup>2</sup>
kg	13.5		



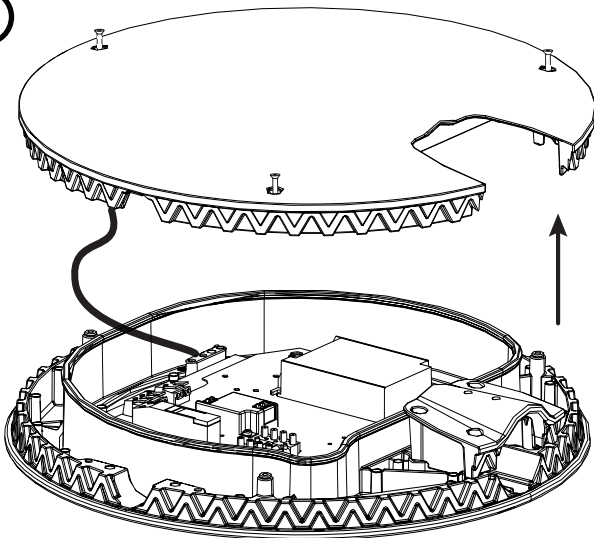
# A. MAINTENANCE

## A1. Common opening

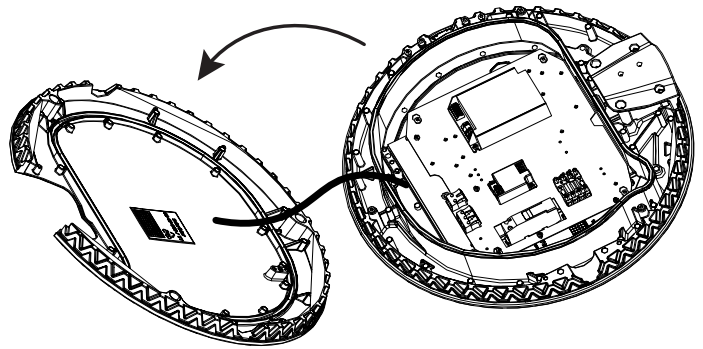
①



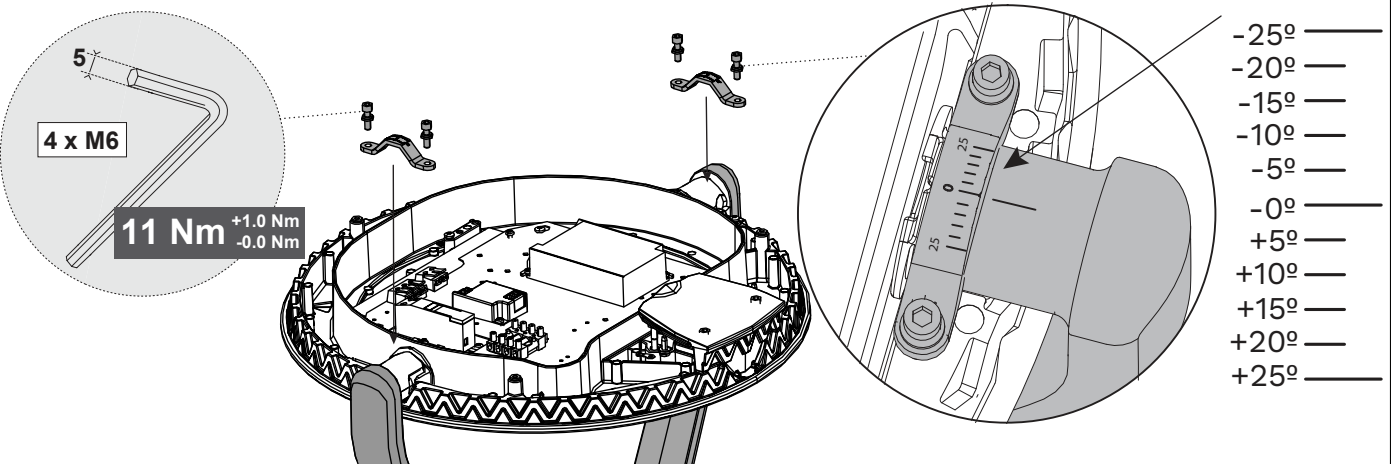
②



③

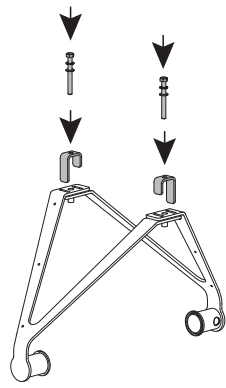
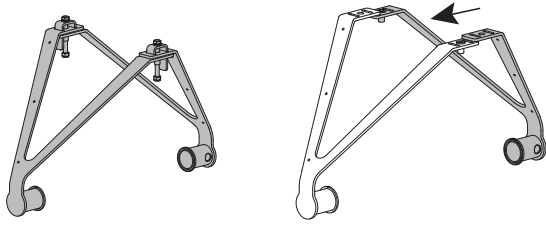


## A2. Fork-entry

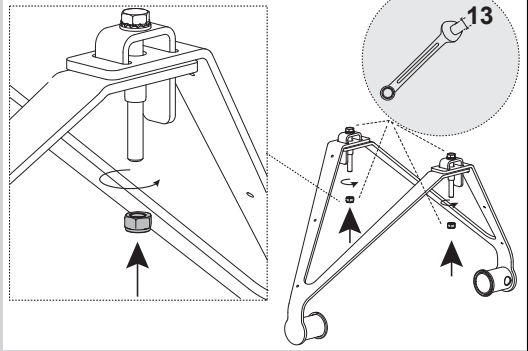


# A3. Rope suspension

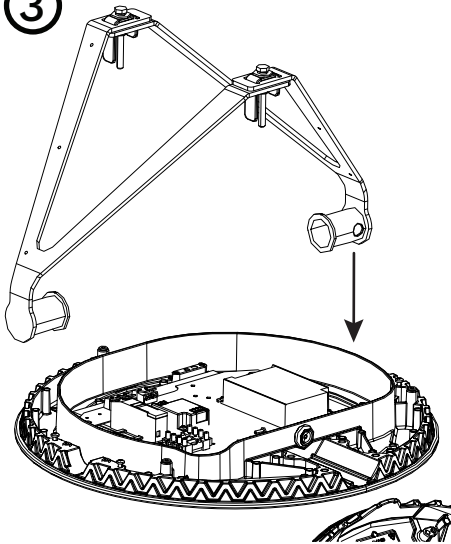
①



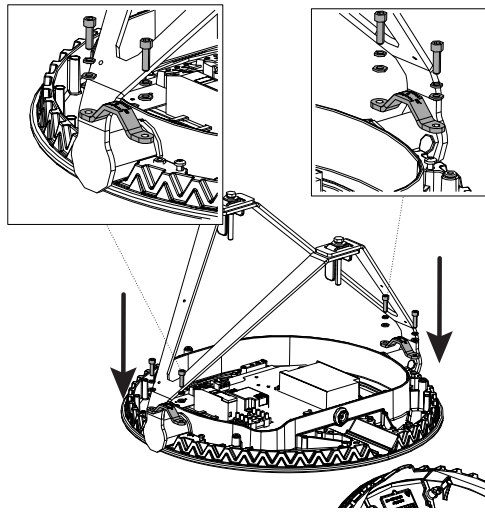
②



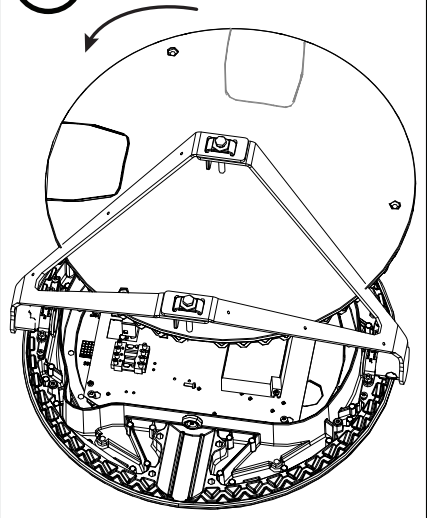
③



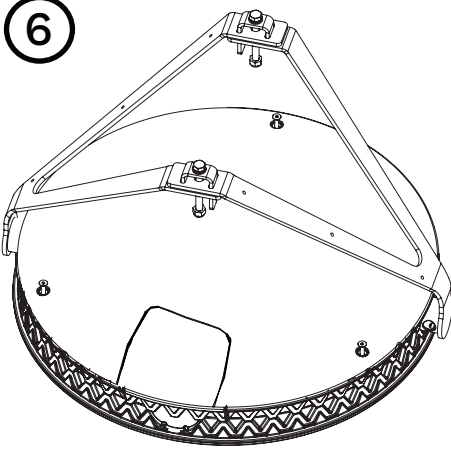
④



⑤

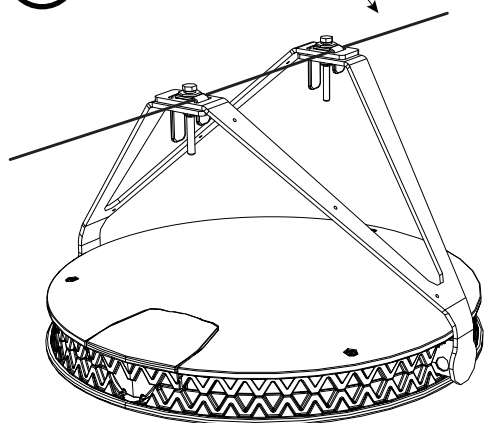


⑥

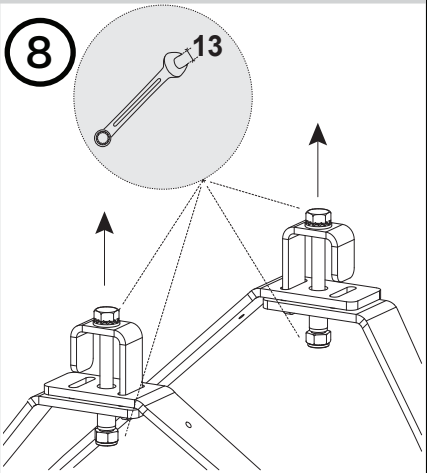


⑦

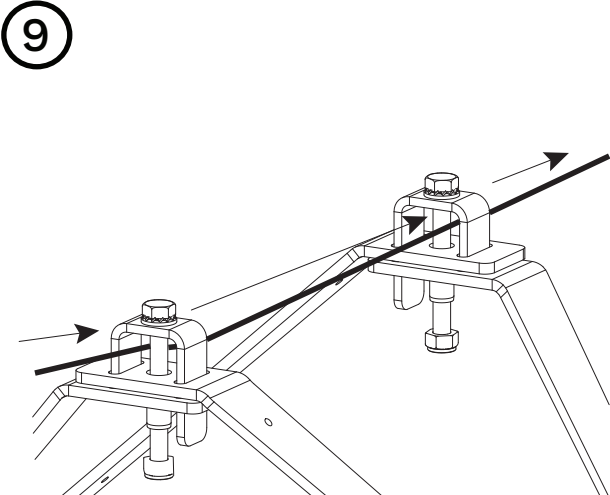
MAX.  $\phi$  10mm



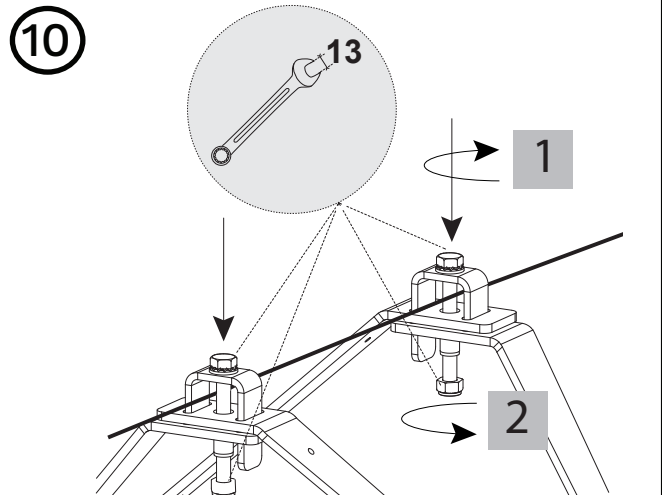
⑧



⑨



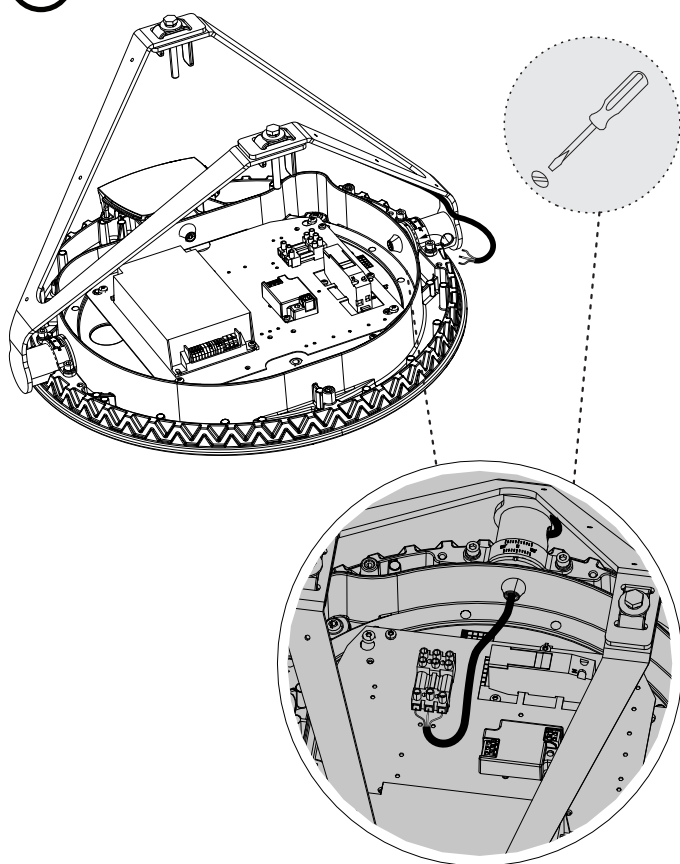
⑩



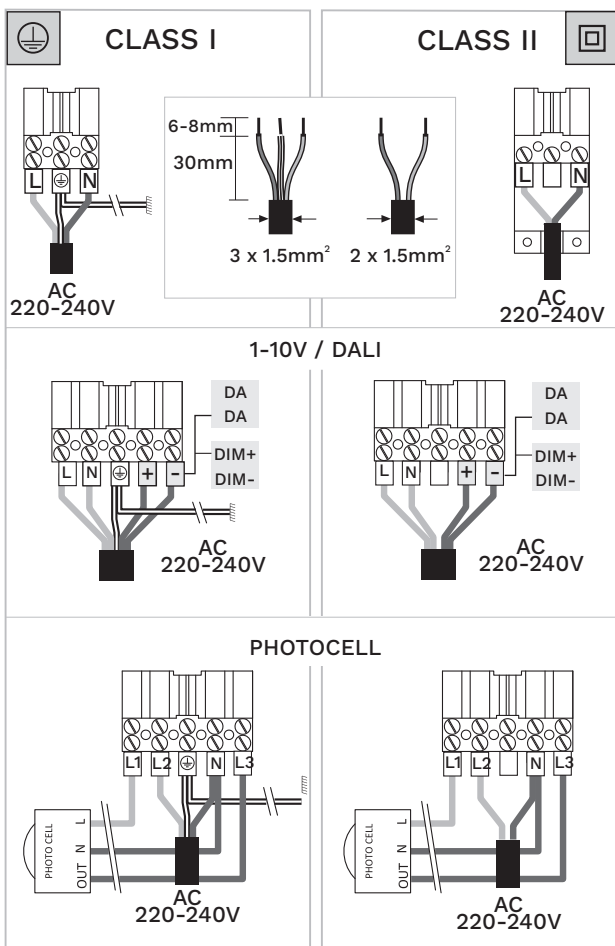
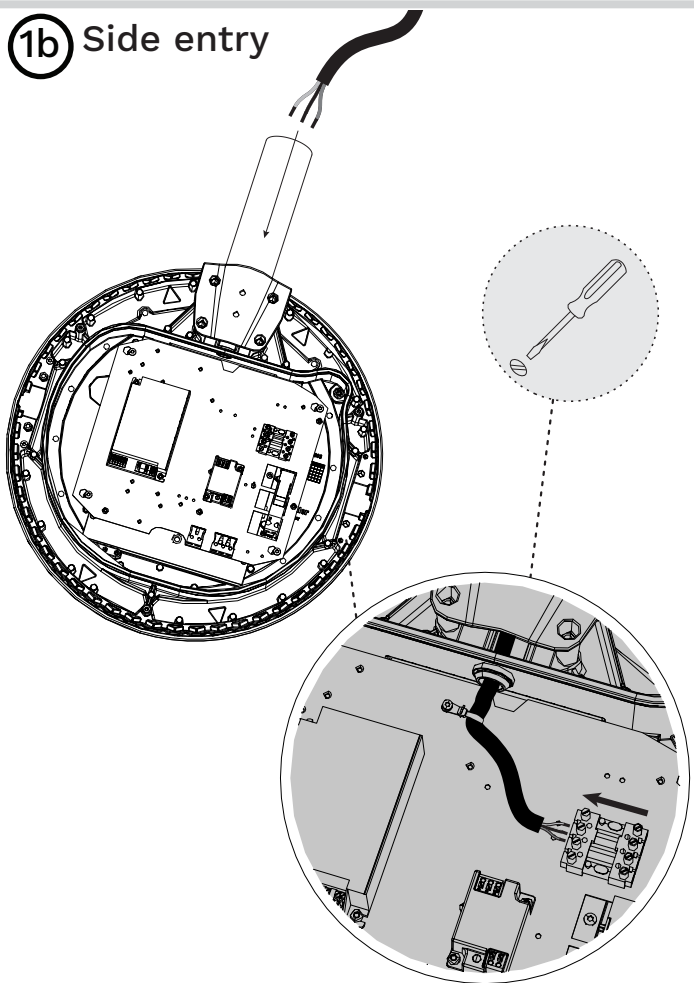


## B. ELECTRICAL INSTALLATION

### 1a) Rope suspension & fork entry

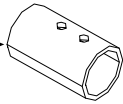


### 1b) Side entry

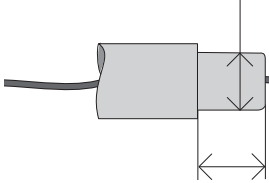


2

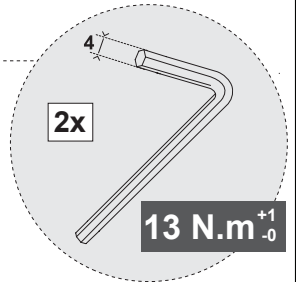
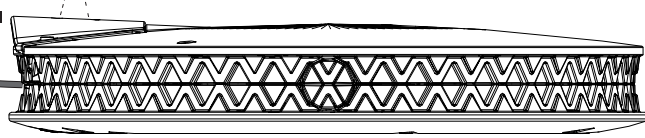
! For Ø48mm, please use the sleeve



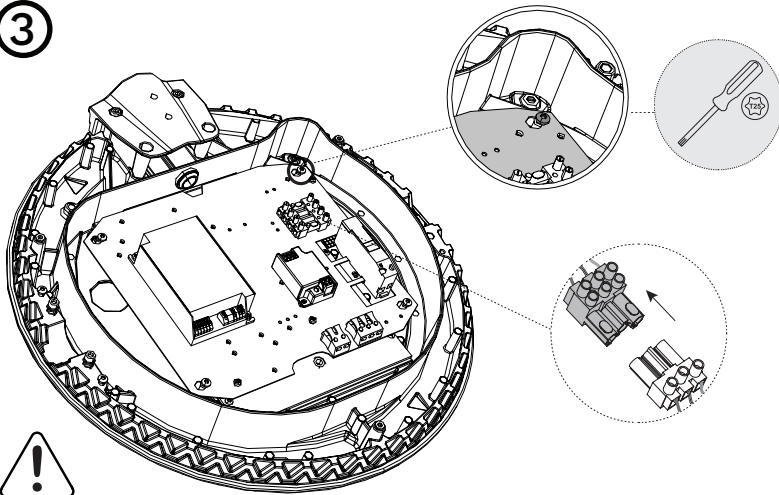
Ø48 - 60mm



min.110mm

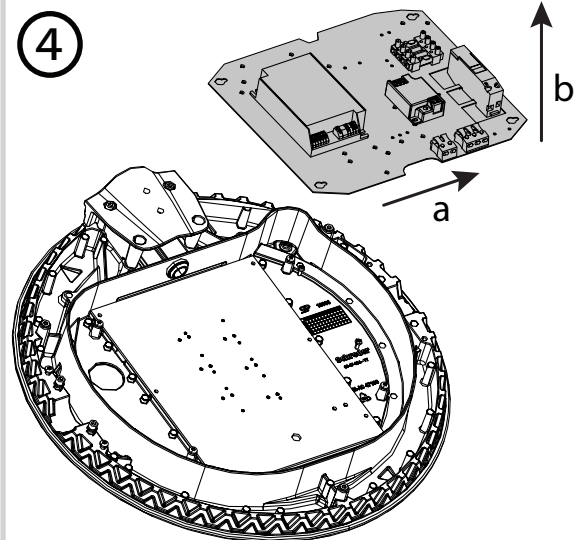


3

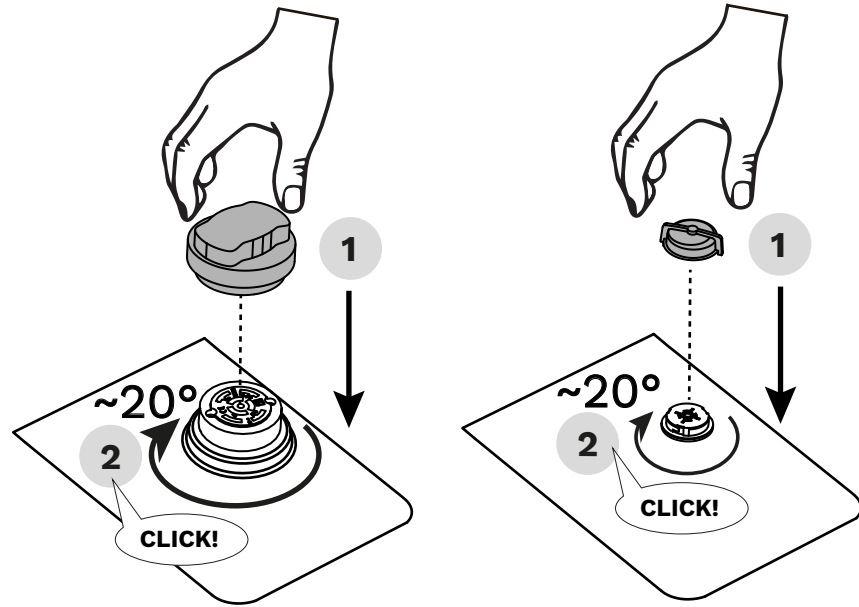


No lubricant or TIKAL Tef-Gel only

4



### C. SHORTING CAPS



IP66	IP66	IP66	IP66

