

POHO GEN2 NEMA
without PIR sensor

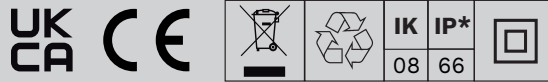
POHO GEN2 NEMA
with PIR Sensor

Schröder
Experts in lightability™

POHO GEN2

NEMA

Installation instructions



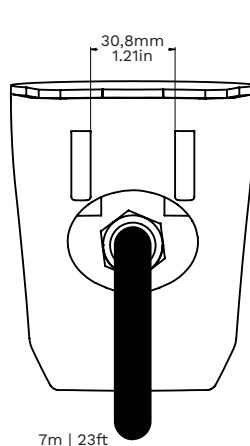
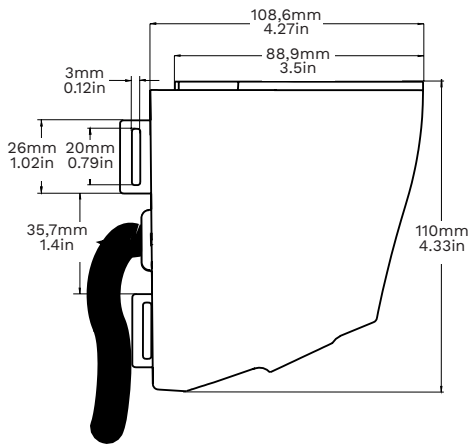
*IP66 when the controller is attached

Warning



This product shall only be installed or replaced by a qualified person. Always switch off the power prior to installation, maintenance or repair activities.

Product



POHO GEN2 NEMA

Ta: -40° to 85°C
-40°F to 185°F

Max Load: 5A @ 110V-277V
3A @ 347V
50/60 Hz ± 5%

POHO GEN2 NEMA PIR

Ta: -20° to 60°C
-4°F to 140°F

Max Load: 5A @ 110V-277V
3A @ 347V
50/60 Hz ± 5%

Installation

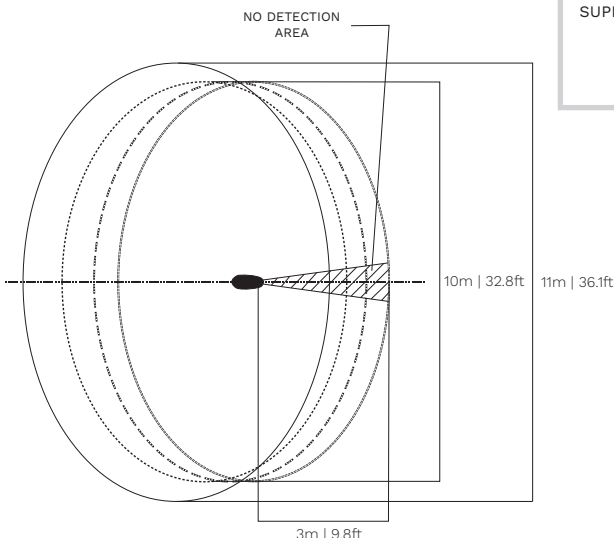
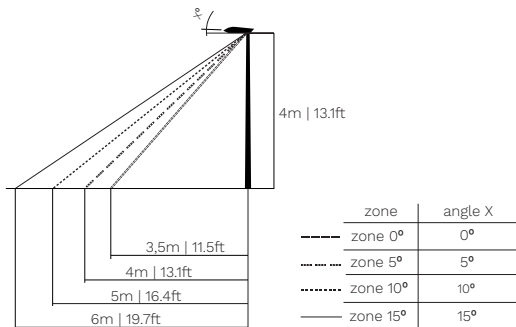
1 Before installation contact Schröder (Field Application Engineer - FAE) for support.

Retrofitting: Check if the cabling of the existing luminaire is compatible with the connections available from POHO GEN2



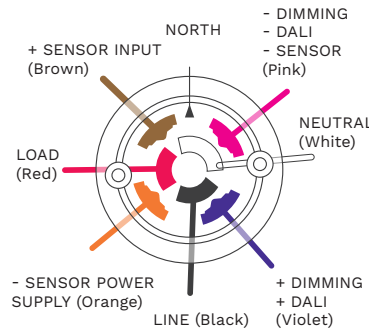
Installation

2 PIR sensor detection area

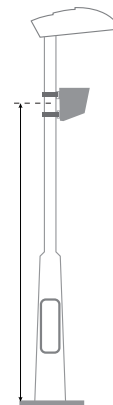


3 NEMA Socket

NEMA TWIST LOCK (TOP VIEW)
ANSI C 136.41

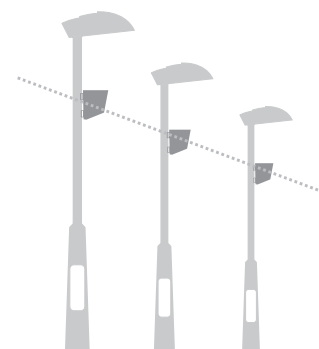


4 Recommended height with PIR
4,5m / 15ft

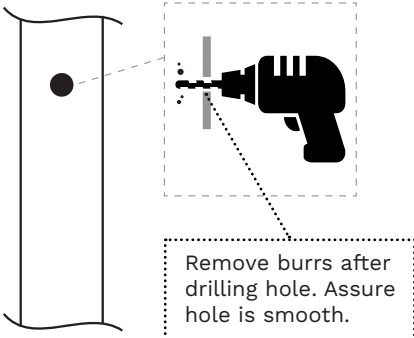


The location of the POHO GEN2 must comply with the recommendations stated in the installation guideline of the luminaire controller to be fitted on the POHO GEN2.

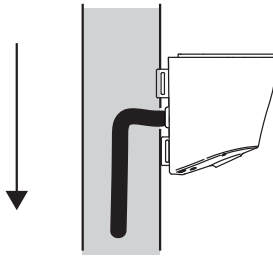
5 Prepare the pole POHO in a way that allows line of sight for the next POHO.



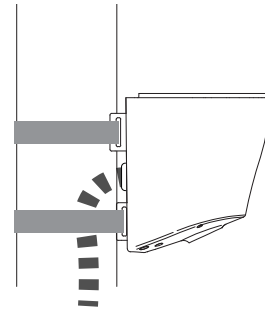
6 Recommended minimum hole size - Ø15mm



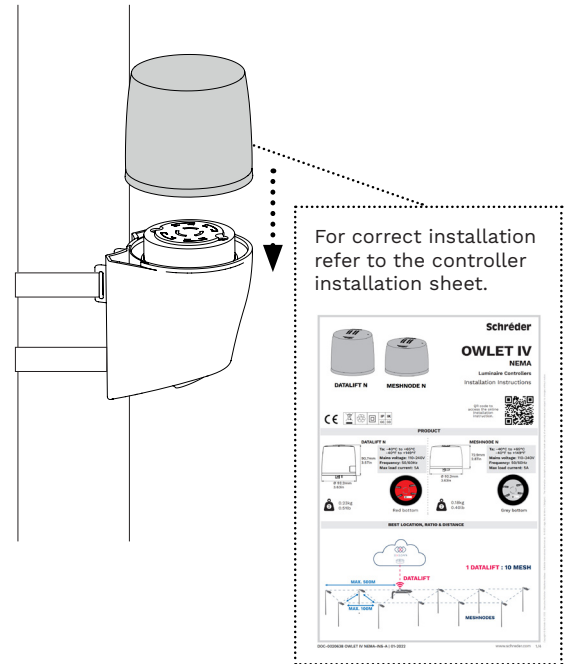
7 Install cable attached to the POHO into pole



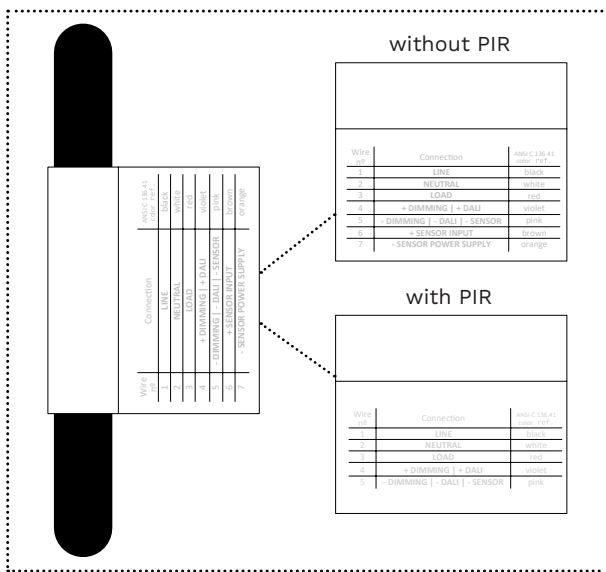
8 Mount NEMA socket + POHO on Pole with metallic cable ties (not supplied with POHO)



9 Install the controller on the POHO.



10 When connecting in the terminal box, apply supplied label on POHO GEN2 cable.



11 Connections in terminal box

